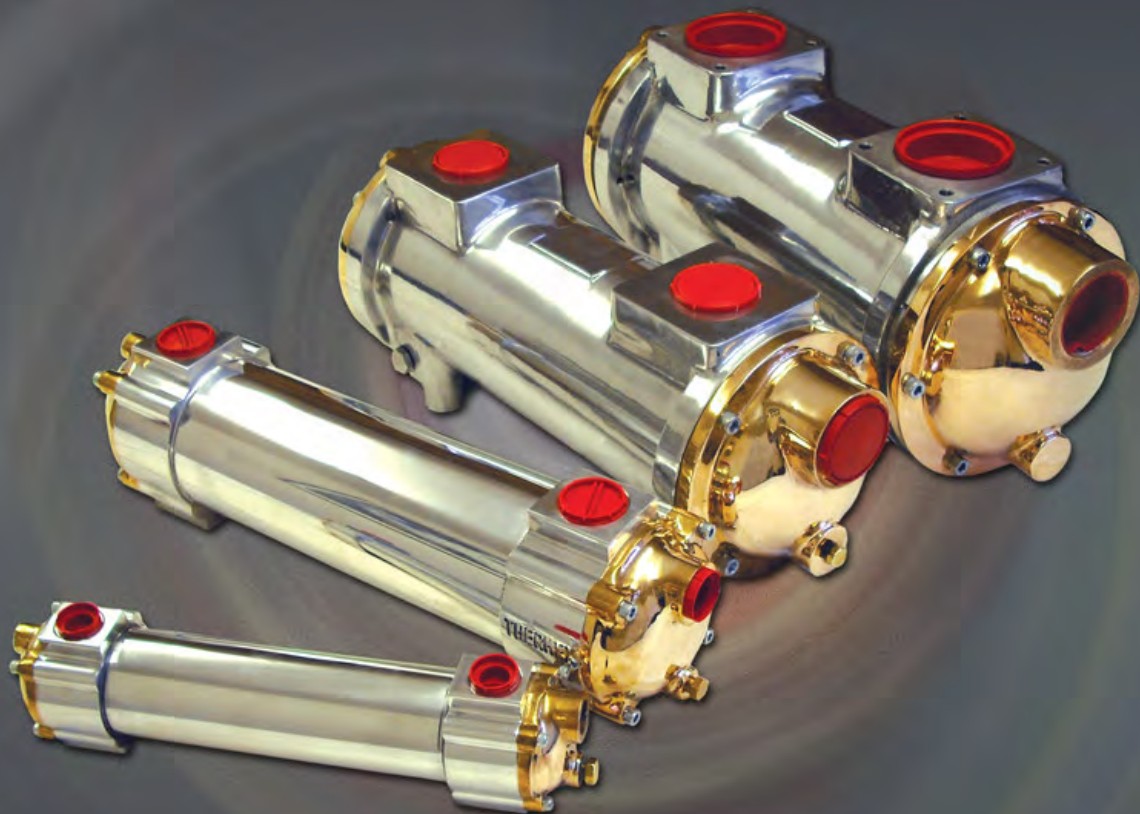


Morskate®

Advanced Cooling Technology



Any questions? Please contact us.

Morskate Aandrijvingen BV

Oosterveldsingel 47A
7558 PJ Hengelo (Ov)
The Netherlands

NL
T +31 (0)74 - 760 11 11
info@morskateaandrijvingen.nl
www.morskateaandrijvingen.nl

DE
T +49 692 - 222 34 95
info@morskateantriebstechnik.de
www.morskateantriebstechnik.de

EN
T +31 (0)74 - 760 11 11
info@morskatedrivetechnology.com
www.morskatedrivetechnology.com



Materials and Configuration

The Standard Shell and Tube 2000 Series range with aluminium body, floating tube stack held in place with "O" rings (to allow differential expansion) and 90:10 Cupro-Nickel tubes provides an efficient and proven solution for most hydraulic and industrial process applications. Thermex Marine Heat Exchangers are however operating in a more demanding environment and are therefore manufactured from higher specification materials to maximise thermal performance and minimize the risks associated with erosion or corrosion.



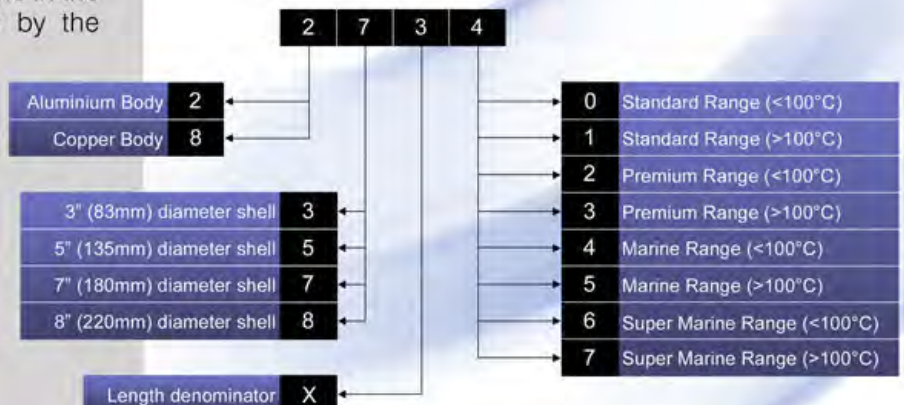
Tubes	90/10 Copper/Nickel	BS2871 Pl.3	CN102	ISO: CuNi10Fe1Mn
Tube plates	Naval Brass	BS2872	CZ112	ISO: CuZn38Sn1
Body	Aluminium (2300 & 2500 Series) (2700 & 2800 Series)	BS1471	6063	ISO: AlSi1MgMn
		BS1474	6063	
		BS1490	LM6M	ISO: AlSi12
Headers	Gunmetal	BS1400	LG2	ISO: GCuSn5Pb5Zn5
Leak detection rings	Carbon Steel (2700 & 2800 Series)	BS4360	Gr 43A	ISO: Fe430A
Seals	Nitrile			

The Thermex Super Marine Heat Exchanger range is designed for vessels and equipment operating in the even harsher conditions encountered in shallow or heavily polluted water. The quality of materials used in the manufacturing process is increased yet again to ensure longevity and the prevention of premature failure.

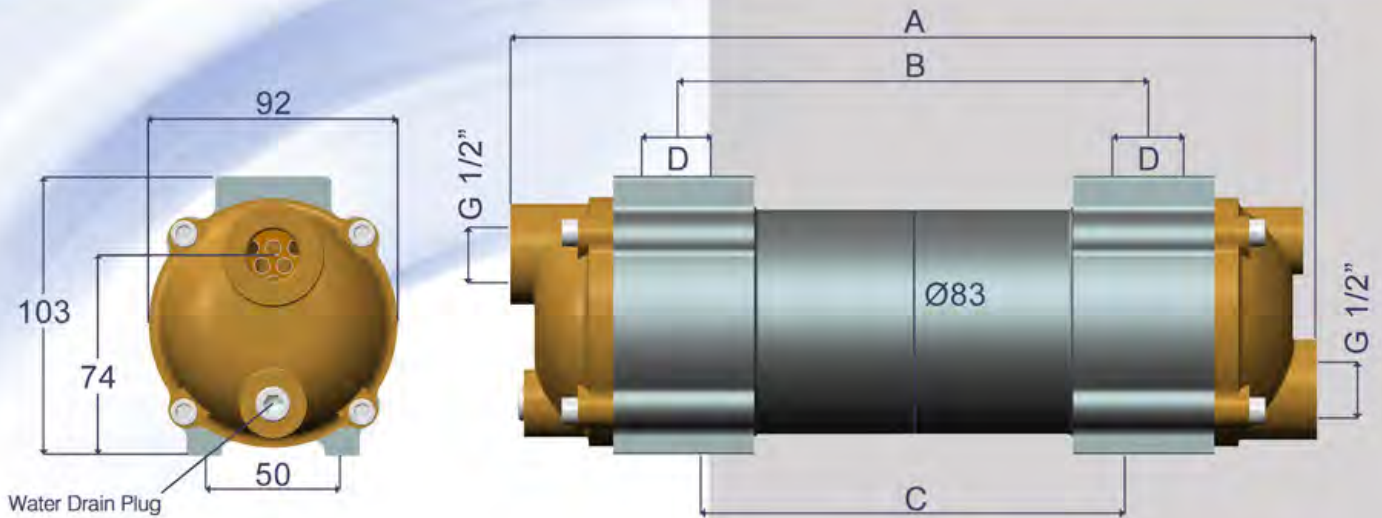
Tubes	70/30 Copper/Nickel	BS2871 Pl.3	CN107	ISO: CuNi30Mn1Fe
Tube plates	90/10 Copper/Nickel	BS2871 Pl.3	CN102	ISO: CuNi10Fe1Mn
Body	Aluminium (2300 & 2500 Series) (2700 & 2800 Series)	BS1471	6063	ISO: AlSi1MgMn
		BS1474	6063	
		BS1490	LM6M	ISO: AlSi12
Headers	Gunmetal	BS1400	LG2	ISO: GCuSn5Pb5Zn5
Leak detection rings	Carbon Steel (2700 & 2800 Series)	BS4360	Gr 43A	ISO: Fe430A
Seals	Nitrile			

Thermex 2700 and 2800 Series are fitted with carbon steel leak detection or witness rings as standard to ensure that both circuits are completely isolated from each other. In the event of "O" ring seal failure on the water circuit, a leak will be observed from the hole in the witness ring but the shell remains protected by the second seal.

Please use the Configurator to ensure that the correct materials are selected when making an enquiry for a Thermex heat exchanger.



Thermex 2300 Series Heat Exchangers

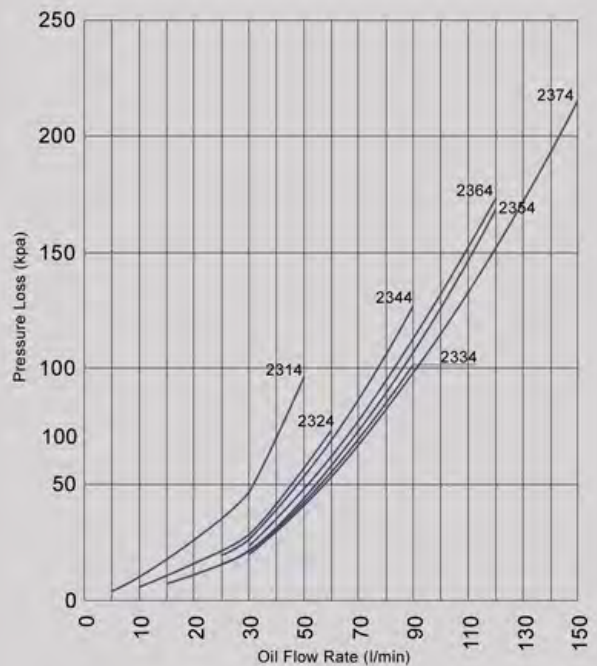
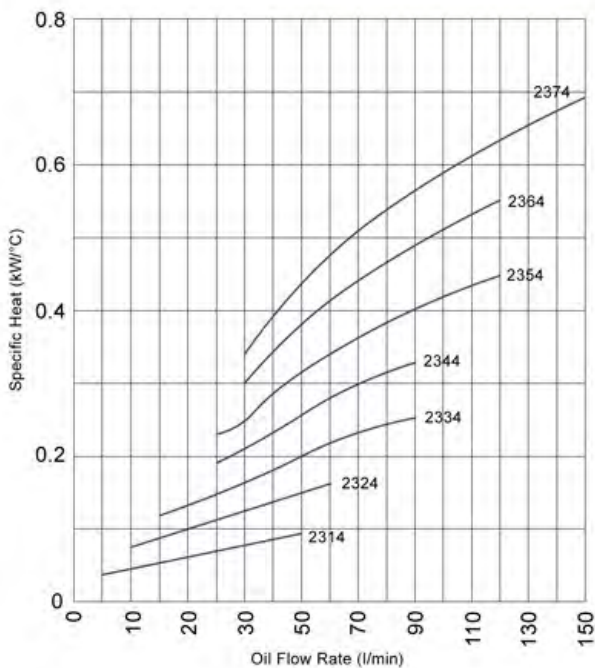


Marine Series No.	A (mm)	B (mm)	C (mm)	D (BSP)	Weight (Kg)	Oil Vol (L)	Water Vol (L)
2314	175	59	*	1/2"	3	0.3	0.4
2324	259	135	117	3/4"	4	0.5	0.5
2334	345	221	203	3/4"	5	0.7	0.6
2344	443	319	301	3/4"	5	1.0	0.7
2354	571	447	429	3/4"	6	1.3	0.9
2364	717	587	575	1"	7	1.7	1.1
2374	895	765	753	1"	8	2.2	1.4

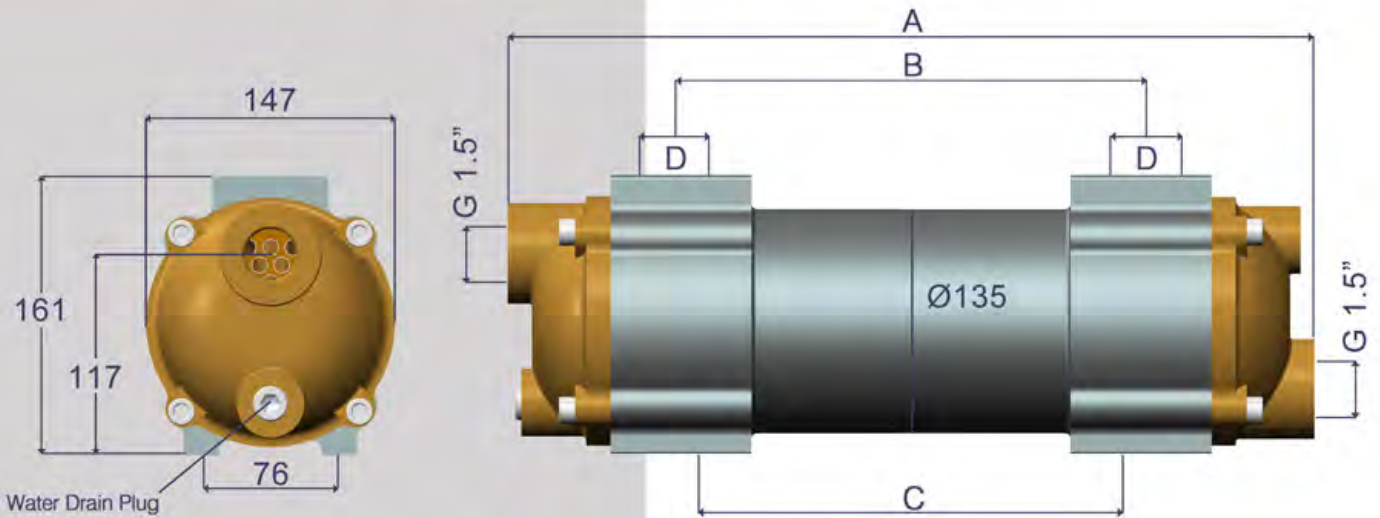
*On Model No. 2314 two M6 x 12 mounting holes are provided on base midway between oil port centres. Add suffix H to part number for 3/4" BSP water connections

Maximum Working Temperature	Standard Cooler - 100°C High temperature versions available upon request
Maximum Working Oil Pressure	Standard Cooler - 30 bar
Maximum Working Water Pressure	Standard Cooler - 20 bar

Minimum Sea Water Flow Rate	3 pass cooler - 20 L/min
Maximum Sea Water Flow Rate	3 pass cooler - 45 L/min



Thermex 2500 Series Heat Exchangers

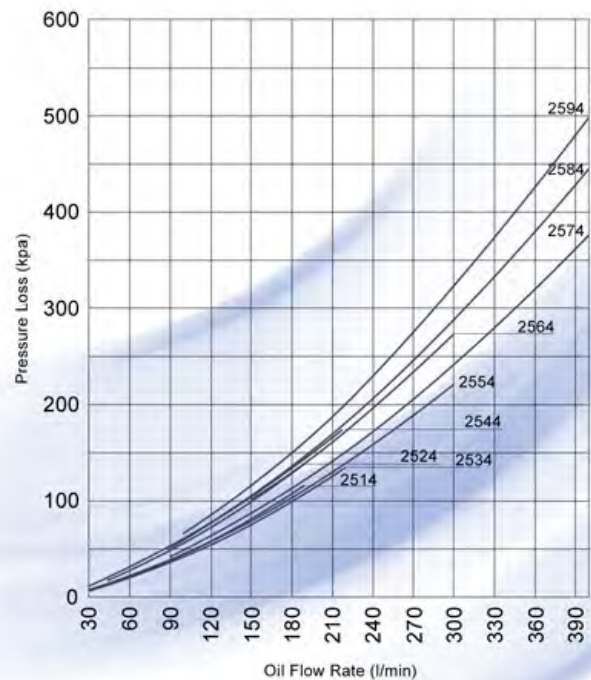
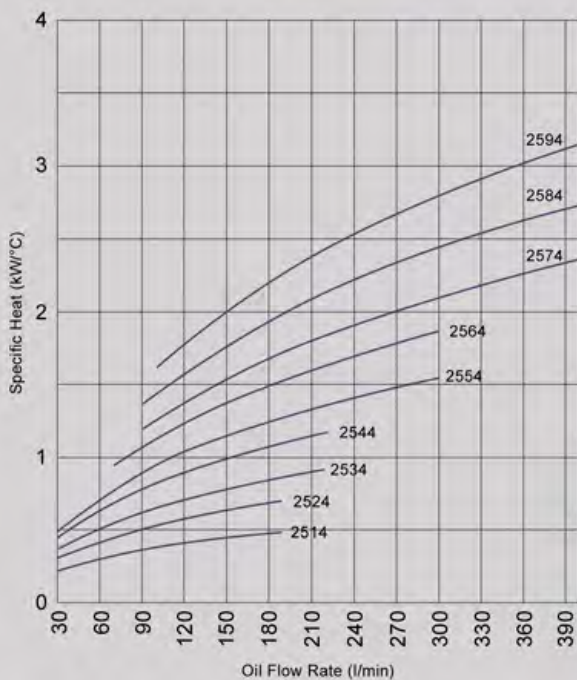


Marine Series No.	A (mm)	B (mm)	C (mm)	D (BSP)	Weight (Kg)	Oil Vol (L)	Water Vol (L)
2514	291	129	75	1"	10	1.4	1.4
2524	377	199	161	1¼"	12	1.9	1.7
2534	475	297	259	1¼"	13	2.5	2.1
2544	603	425	387	1¼"	14	3.5	2.6
2554	749	571	533	1½"	17	4.5	3.2
2564	927	749	711	1½"	20	5.8	3.9
2574	1129	951	913	1½"	23	7.3	4.8
2584	1381	1203	1165	1½"	27	9.0	5.8
2594	1727	1549	1511	1½"	32	11.5	7.2

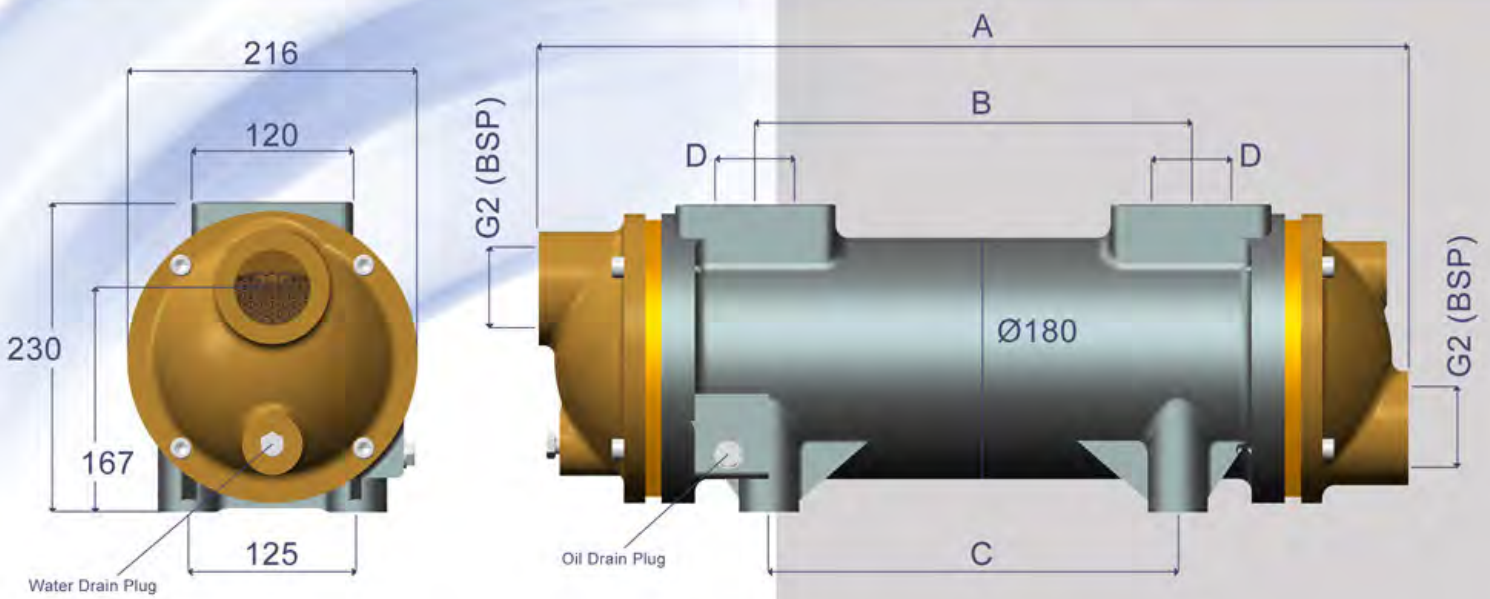
Add suffix H to part number for 1.5" BSP water connections (Dimensions A = + 14mm)

Maximum Working Temperature	Standard Cooler - 100°C High temperature versions available upon request
Maximum Working Oil Pressure	Standard Cooler - 30 bar
Maximum Working Water Pressure	Standard Cooler - 20 bar

Minimum Sea Water Flow Rate	3 pass cooler - 50 L/min
Maximum Sea Water Flow Rate	3 pass cooler - 120 L/min



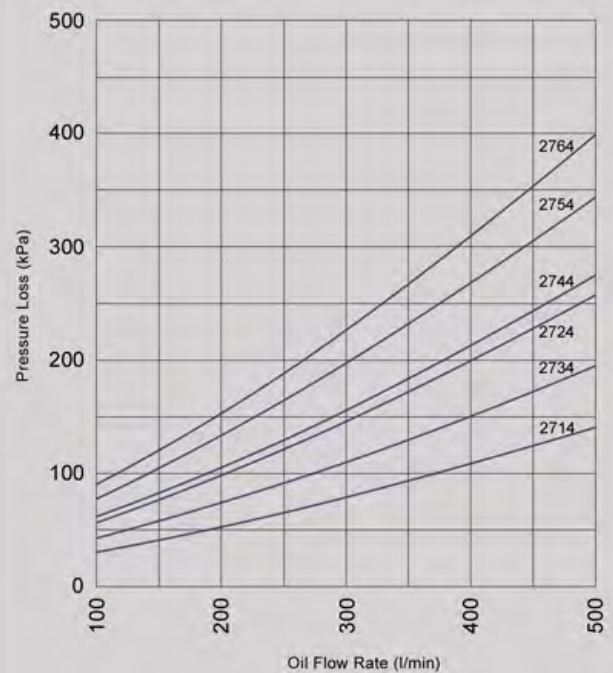
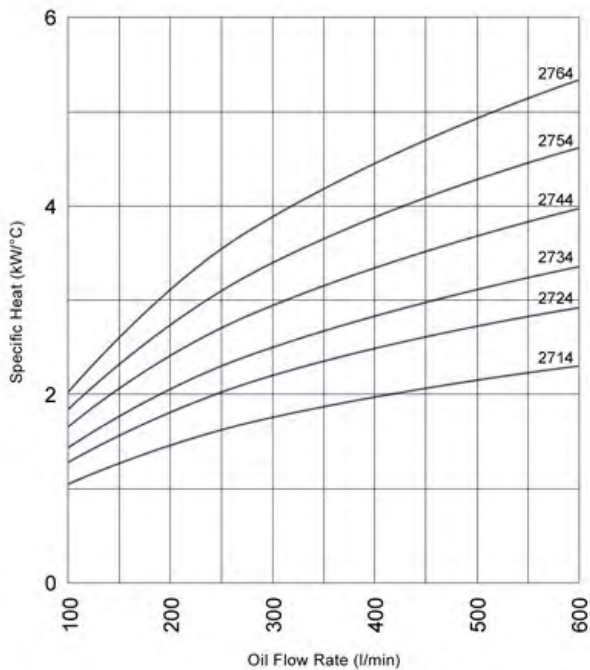
Thermex 2700 Series Heat Exchangers



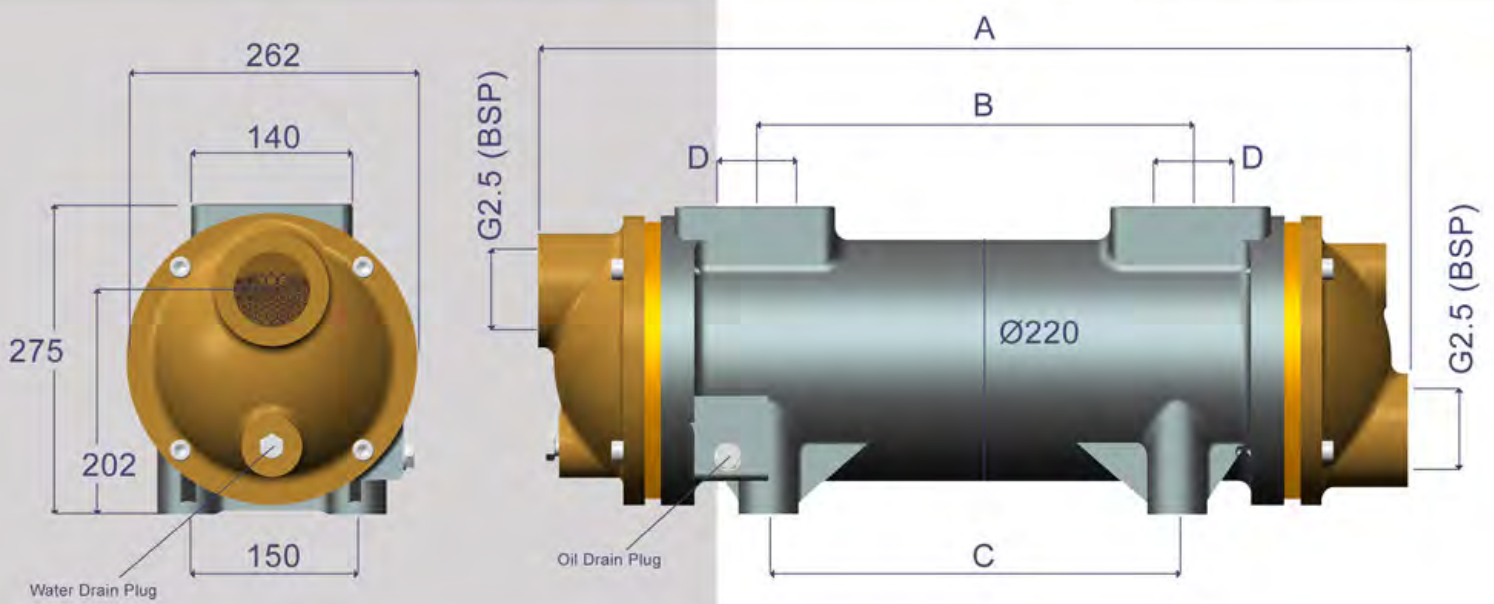
Marine Series No.	A (mm)	B (mm)	C (mm)	D (BSP)	Weight (Kg)	Oil Vol (L)	Water Vol (L)
2714	650	326	306	2"	38	5.5	5.0
2724	796	472	452	2"	43	7.0	6.0
2734	974	650	630	2"	48	9.0	7.5
2744	1176	850	632	2"	55	11.0	9.0
2754	1428	1104	1084	2"	63	14.0	10.5
2764	1777	1453	1433	2"	74	17.5	13.0

Maximum Working Temperature	Standard Cooler - 100°C High temperature versions available upon request
Maximum Working Oil Pressure	Standard Cooler - 30 bar
Maximum Working Water Pressure	Standard Cooler - 20 bar

Minimum Sea Water Flow Rate	3 pass cooler - 100 L/min
Maximum Sea Water Flow Rate	3 pass cooler - 210 L/min



Thermex 2800 Series Heat Exchangers



Marine Series No.	A (mm)	B (mm)	C (mm)	D (BSP)	Weight (Kg)	Oil Vol (L)	Water Vol (L)
2814	684	326	306	3"	48	9.0	7.5
2824	830	472	452	3"	54	11.5	9.0
2834	1008	650	630	3"	62	15.0	10.5
2844	1210	852	832	3"	71	18.5	13.0
2854	1426	1104	1084	3"	82	23.0	15.5
2864	1811	1453	1433	3"	97	29.5	19.0

Maximum Working Temperature	Standard Cooler - 100°C High temperature versions available upon request
Maximum Working Oil Pressure	Standard Cooler - 30 bar
Maximum Working Water Pressure	Standard Cooler - 20 bar

Minimum Sea Water Flow Rate	3 pass cooler - 140 L/min
Maximum Sea Water Flow Rate	3 pass cooler - 300 L/min

